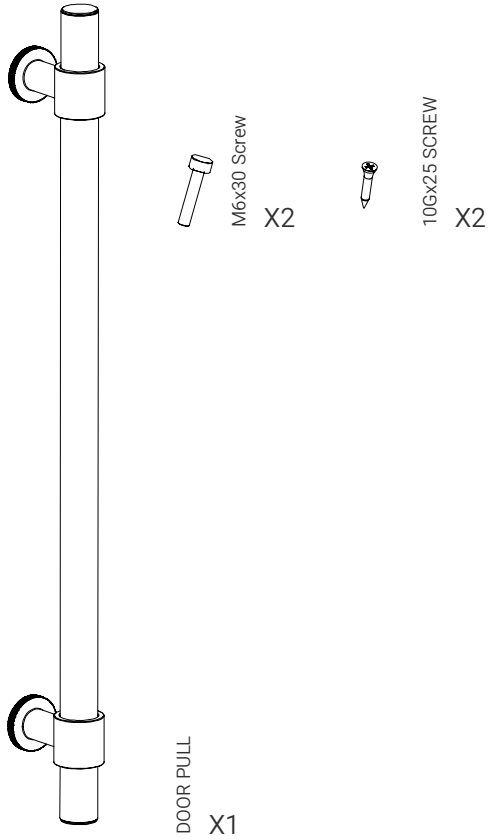


Installation Instructions

Momo Belgravia Door Pull Handle, Single Sided Installation



1. Components

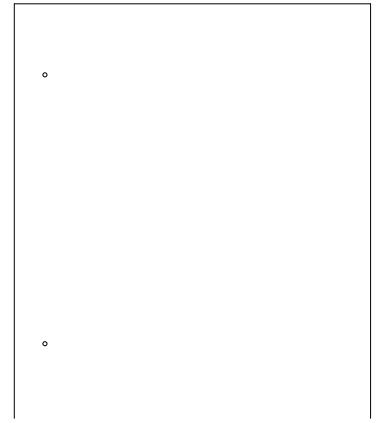


2. Drilling Dimensions

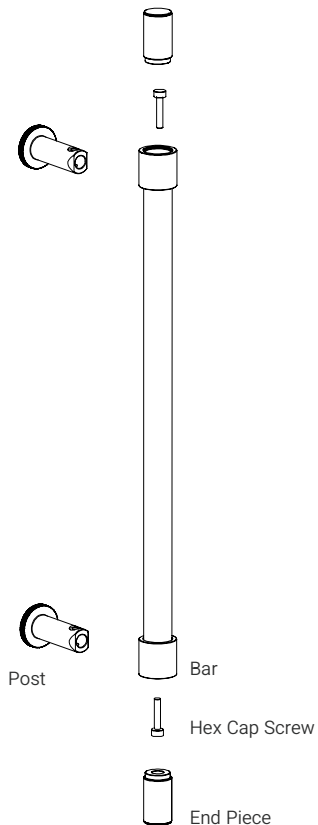


The handles distance from edge of door is to be determined by installer

Pre-Drill a 3mm pilot hole 5-8mm into the door before installing 10G Screw



3



Installation Instructions

Momo Belgravia Door Pull Handle, Single Sided Installation

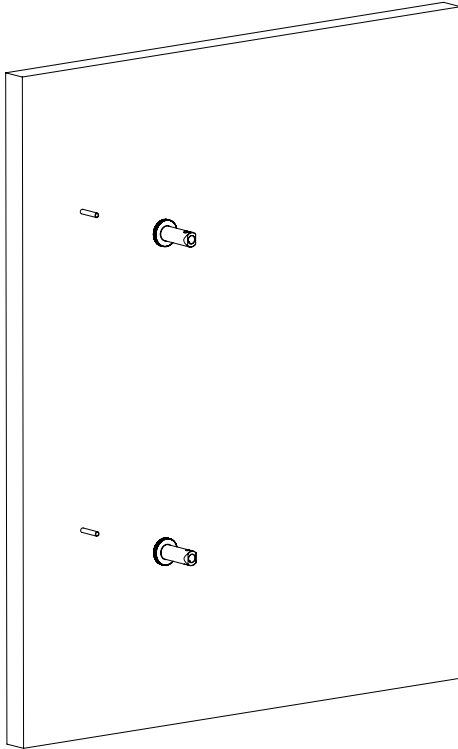
MO
MO
HANDLES

4.

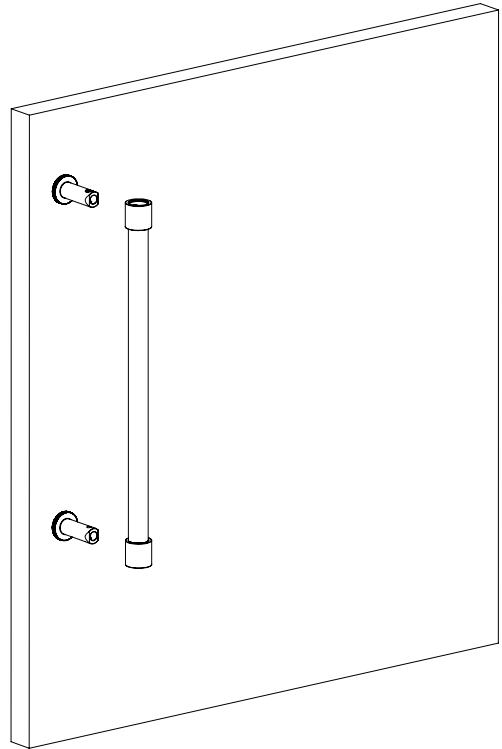
Place 10Gx25 screw into the entry pull post and screw into the pre-drilled hole

Repeat and secure the other side so they are now fixed to the door

Ensure the holes on top of the post are inline vertically

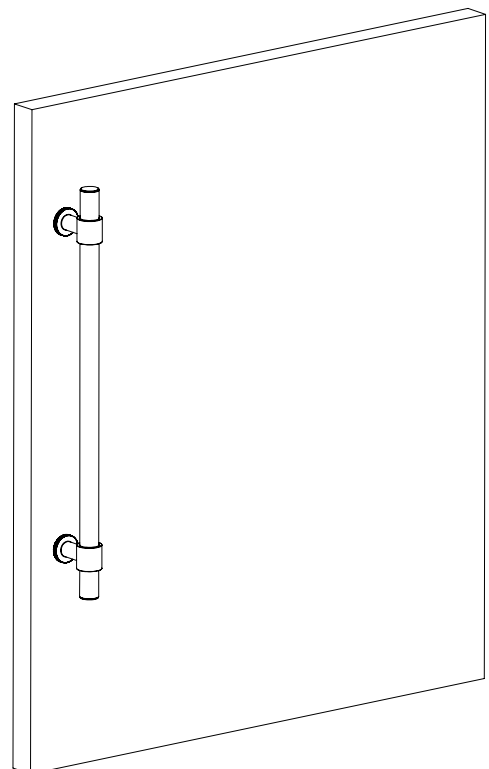
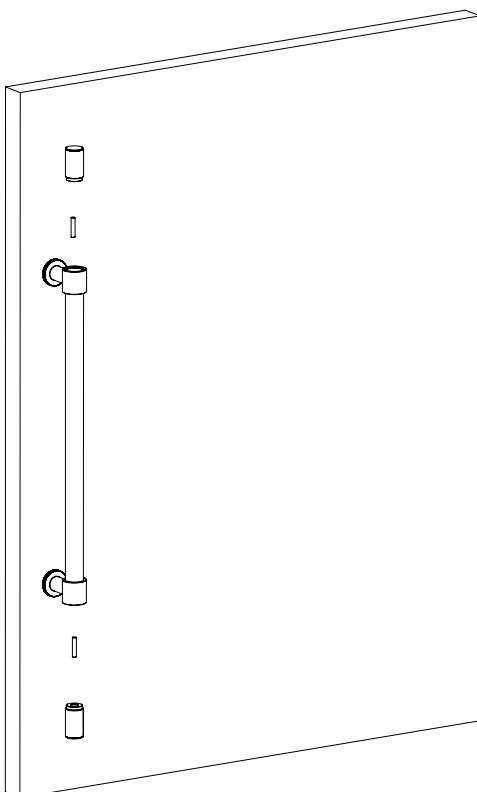


Carefully install the Entry Pull bar over the posts



5.

Secure the bar to the posts with the M6x30 Allen Head screw

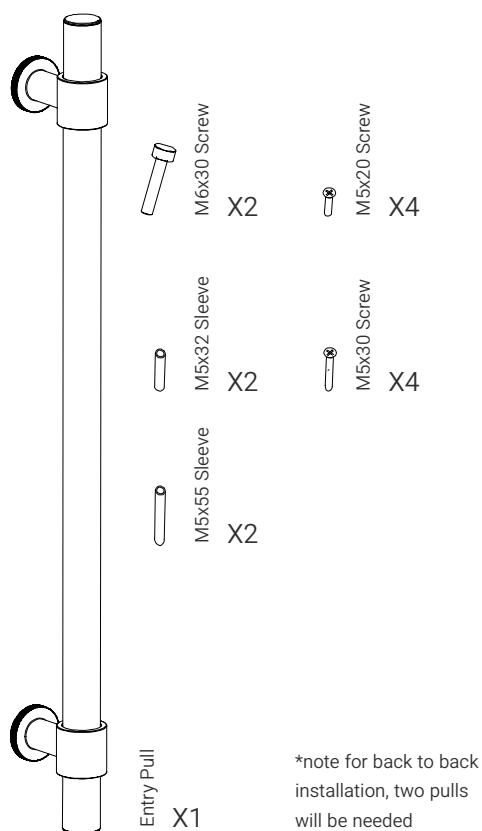


Installation Instructions

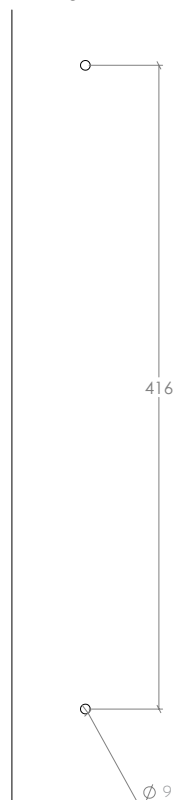
Momo Belgravia Solid Brass Door Pull Handle - Back to Back Install

MO
MO
HANDLES

1. Components

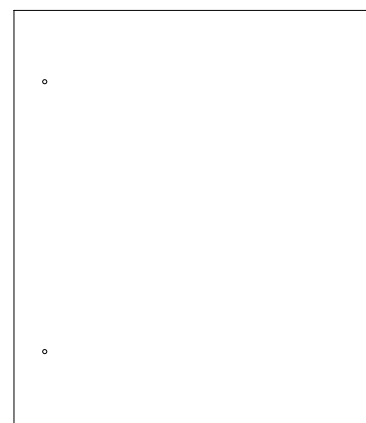


2. Drilling Dimensions

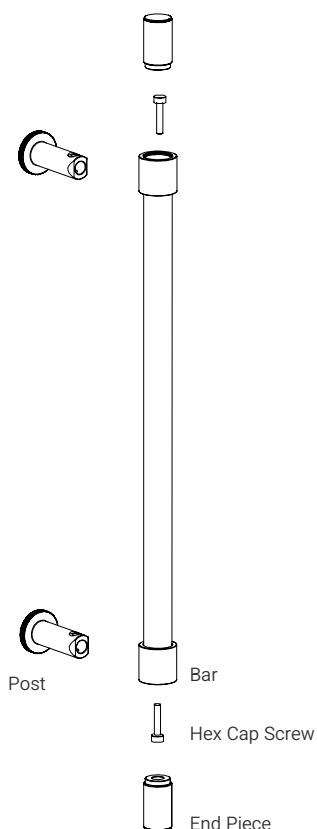


The handles distance from edge of door is to be determined by installer

Pre-Drill a 3mm pilot hole 5-8mm into the door before drilling the 9mm hole



3



Door Thickness Specifications:

Door Thickness Min (mm): 35mm

Door Thickness Max (mm): 50mm

Hardware is provided in the boxes for either door thickness application

Installation Instructions

Momo Belgravia Solid Brass Door Pull Handle - Back to Back Install

MO
MO
HANDLES

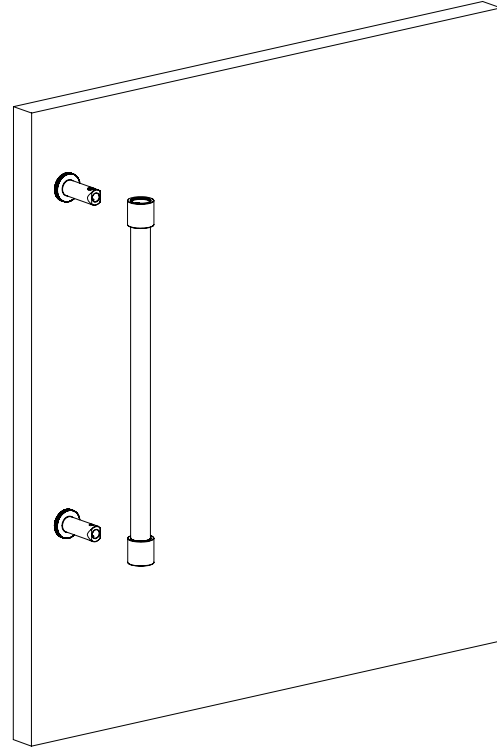
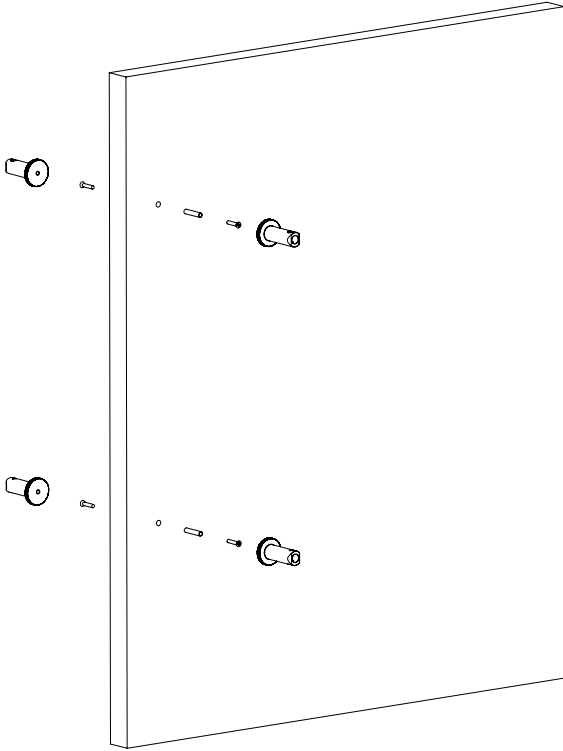
4.

Place M5x20 screw into the entry pull post and secure with the M5 sleeve

Repeat and secure the other side so they are now fixed to the door

Ensure the holes on top of the post are inline vertically

Carefully install the Entry Pull bar over the posts



5.

Secure the bar to the posts with the M6x30 Hex Cap screw

Once secured, install bar end pieces and tighten by hand

