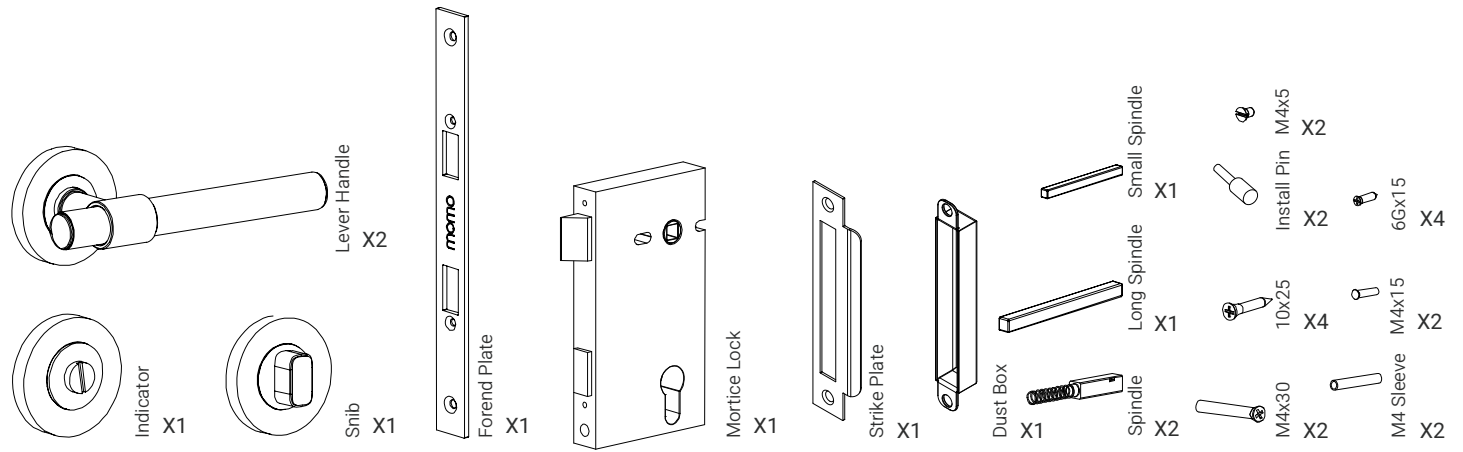


Installation Instructions

Belgravia Lever. Privacy Mortice, Snib and Strike Install

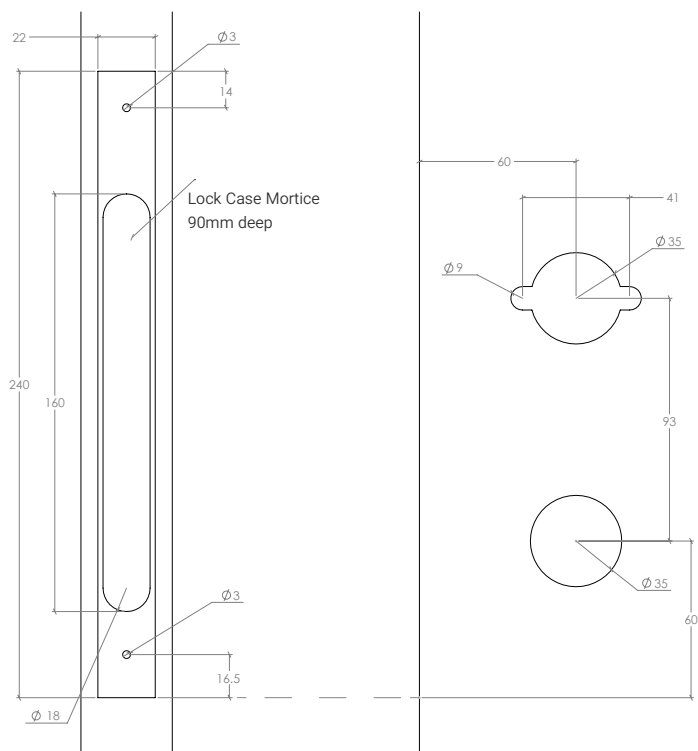


1. Components

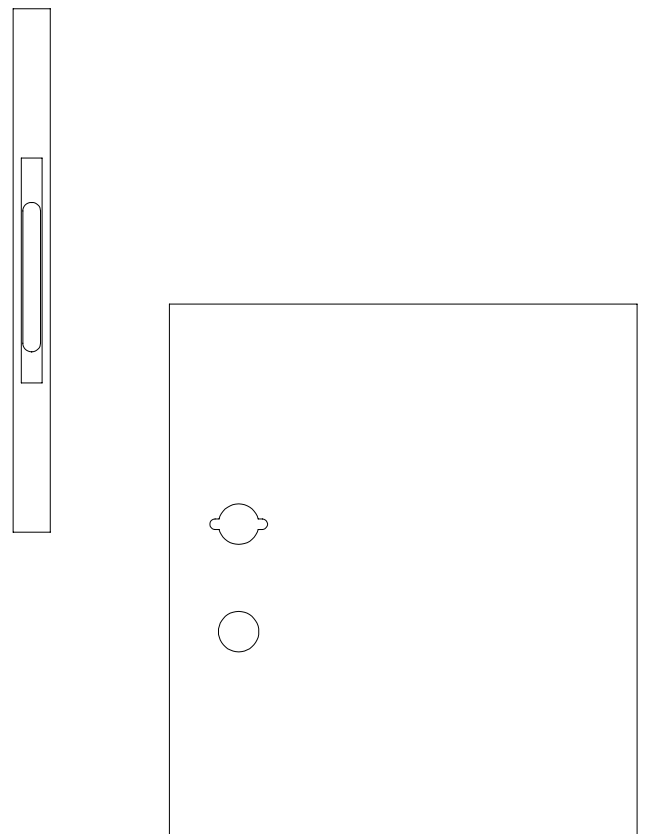


2.

Mortice lock and lever drilling dimensions



3.



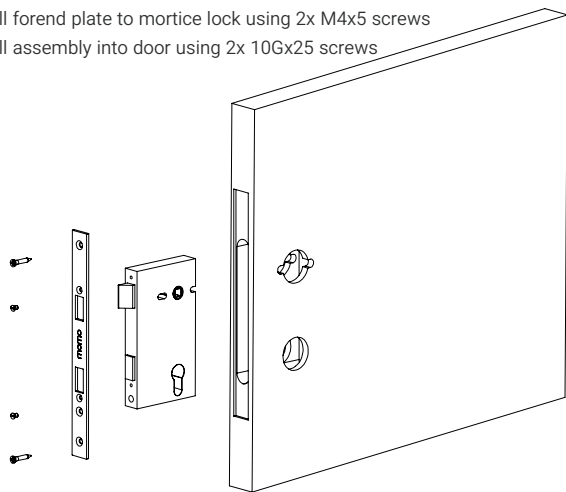
Installation Instructions

Belgravia Lever. Privacy Mortice, Snib and Strike Install

MO
MO
HANDLES

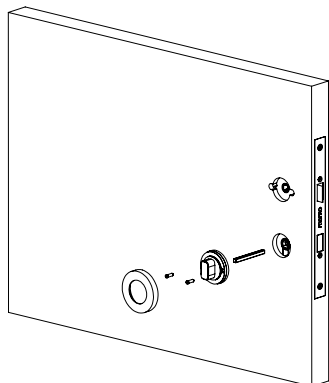
4.

Install forend plate to mortice lock using 2x M4x5 screws
Install assembly into door using 2x 10Gx25 screws



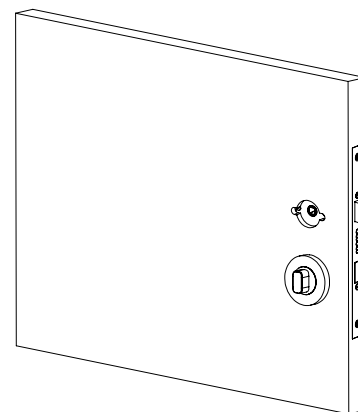
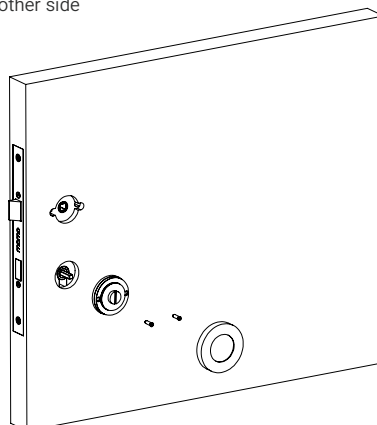
Install Snib, Spindle and 2x 6Gx15 screws

Followed by the rosette cover
(Hand tighten)



5.

Repeat for other side

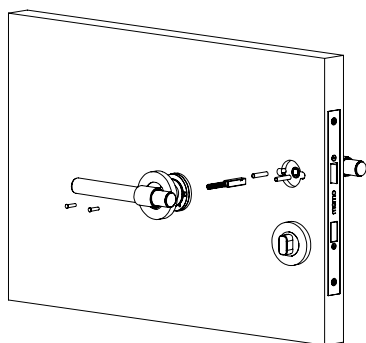


6.

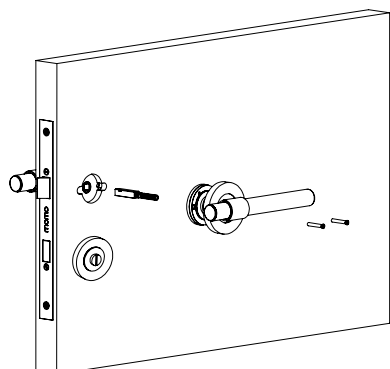
Loosen rosette cover from lever and
install 2x M4x15 screw to the Lever

Tighten with the 2x M4 sleeves and
insert spindle, spring side first into
the lever handle

Install assembly into door

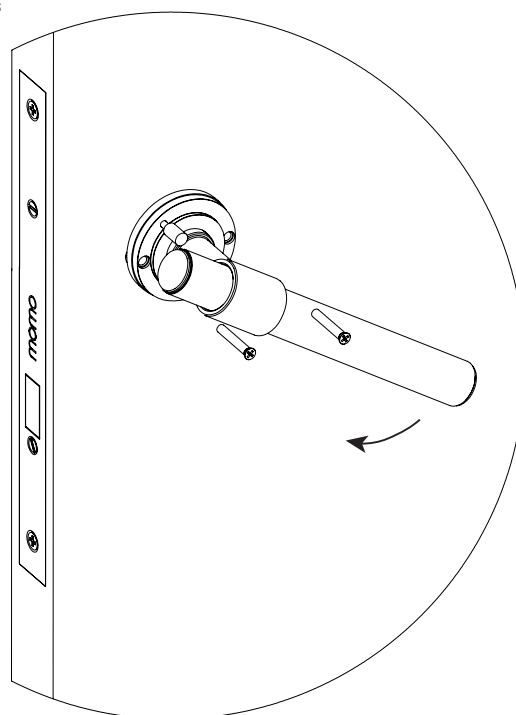


Repeat above step hand tightening
M4x30 screws



7.

Rotate lever handle down to gain
better access to the 2x M4x30
Screws



Installation Instructions

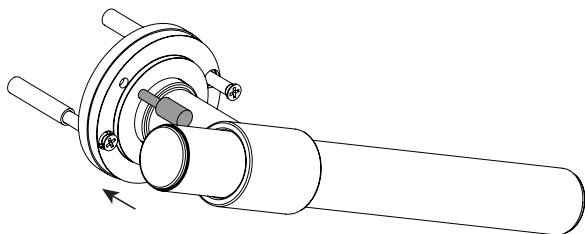
Belgravia Lever. Privacy Mortise, Snib and Strike Install

MO
MO
HANDLES

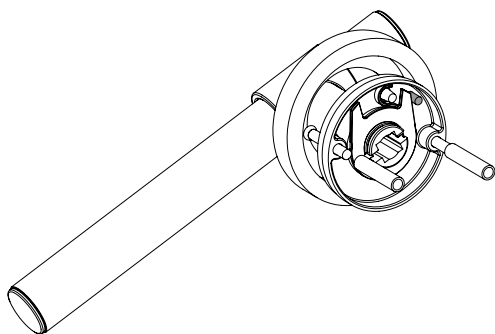
8.

Insert pin into rosette and release lever

The handle should be locked into a downwards position allowing you to tighten the screws with a screw driver

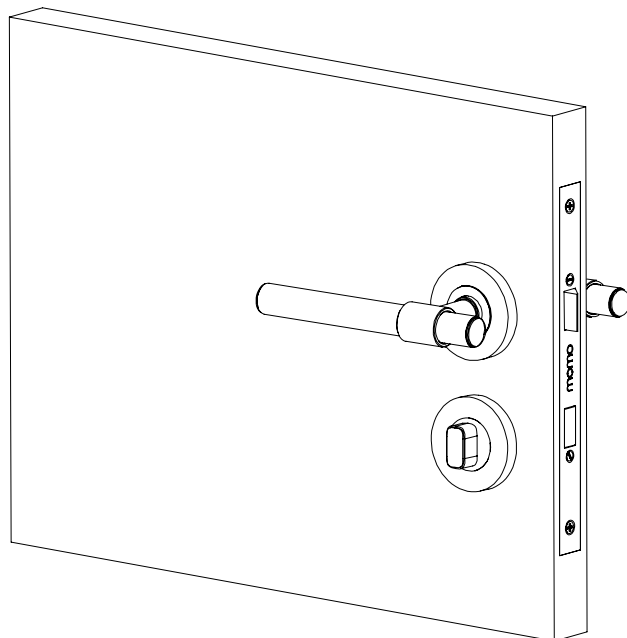


Rear-view of lever showing install pin in position.



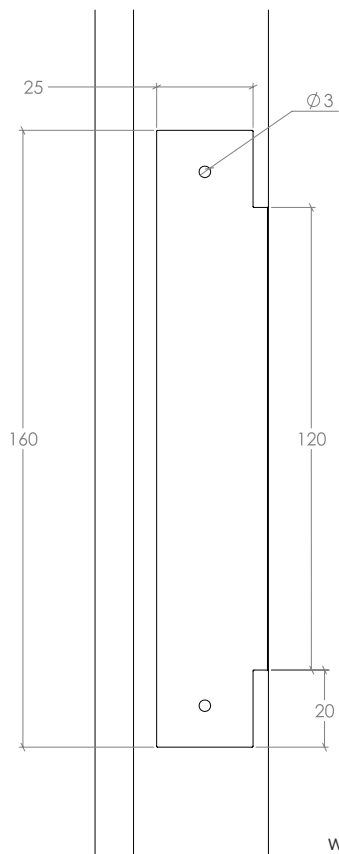
9.

Once secured, reinstall rosette covers by hand and remove plastic covering



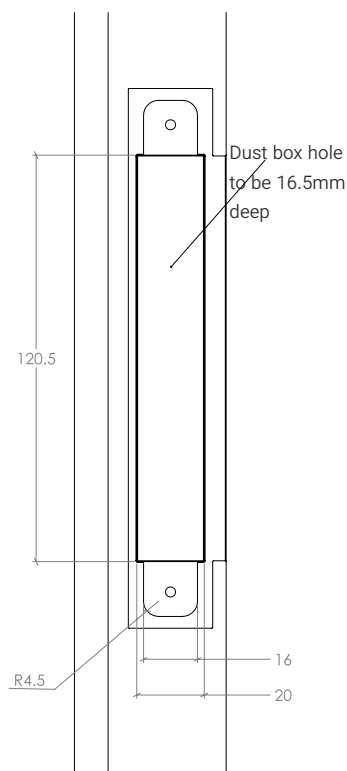
10.

Strike Plate Installation Dimensions



11.

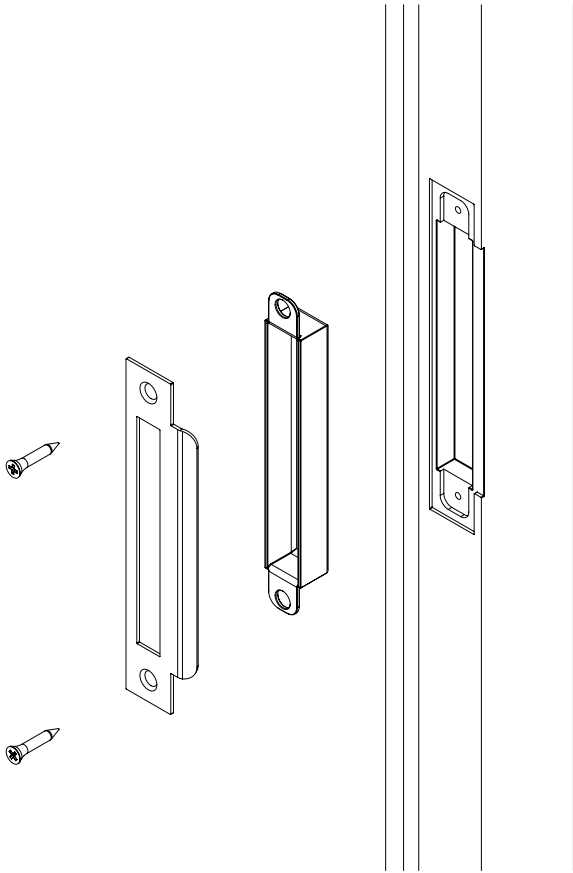
Dust box installation dimensions



Installation Instructions

Belgravia Lever. Privacy Mortice, Snib and Strike Install

12.



13.

