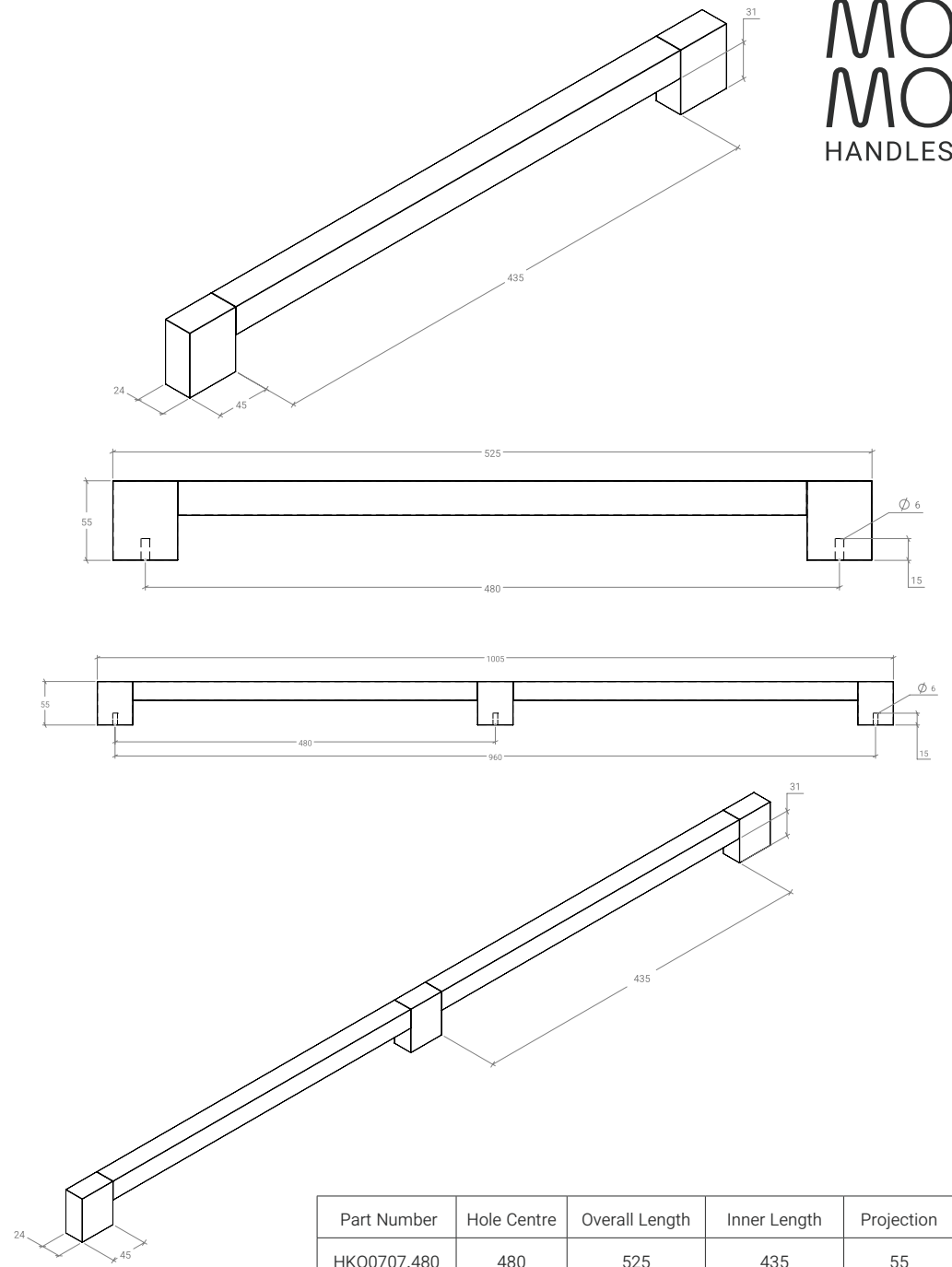


# Hako Big Back to Back

The Hako Big handle is distinguished by its exquisite woodworking, which masterfully combines a square-profile central body with attachment bases that merge into a single, cohesive element. This join is imperceptible to the touch, revealed only by the interplay of contrasting grain, a hallmark of refined Japanese furniture. The big version is available in two lengths, making it the perfect fit for wardrobes and drawers in any space.



|        |   |
|--------|---|
| STYLES | 480mm D Handle Back to Back: HK00707.480   960mm D Handle Back to Back: HK00707.960 |
|--------|---|

|          |  |
|----------|--|
| FINISHES | <span style="display: inline-block; width: 15px; height: 15px; background-color: #8B4513; margin-right: 5px;"></span> Oak (OAK) <span style="display: inline-block; width: 15px; height: 15px; background-color: #4B3621; margin-left: 20px; margin-right: 5px;"></span> Walnut (WN) |
|----------|--|

| Part Number | Hole Centre | Overall Length | Inner Length | Projection |
|-------------|-------------|----------------|--------------|------------|
| HK00707.480 | 480         | 525            | 435          | 55         |
| HK00707.960 | 480 x 2     | 1005           | 435 x 2      | 55         |